

Product Information

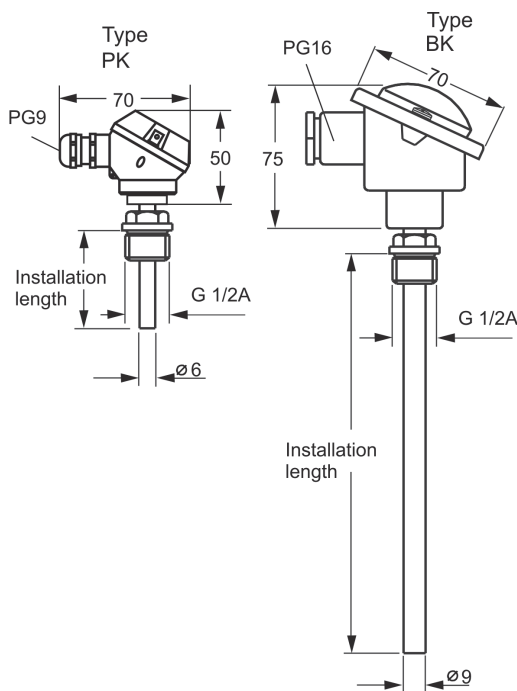
# Temperature Sensor 8100/A, 8100/C



## Characteristics

- Thermocouple Fe-CuNi (type J); NiCr-Ni (type K)
- RTD Pt100/Pt1000 class B,
- Protective tube, stainless steel 1.4571
- Connection head form BK/PK, DIN 43729, IP65
- Head transmitter optional

## Dimensions



## Ordering code

1. 2. 3. 4. 5. 6. 7. 8. 9. 10.  
 -  -  -  -  -  -  -  -  -  -

<b>1. Measuring element</b>	
8100/A	Pt100 class B
8100/C	Pt1000 class B
<b>2. Number of elements</b>	
1	1 measuring element
2	2 measuring elements
<b>3. Connection type</b>	
2L	2-wire (as 3- and 4-wire applicable)
<b>4. Measuring tip diameter</b>	
6	6 mm
8	8 mm
9	9 mm
<b>5. Installation length [mm]</b>	
40	40 mm
100	100 mm
160	160 mm
250	250 mm
400	400 mm
600	600 mm
xx	custom length; specify the length in the plain text
<b>6. Neck pipe length [mm]</b>	
0	without
50	50 mm
100	100 mm
xx	custom length; specify the length in the plain text
<b>7. Process connection</b>	
G 1/2	fixed gland 1/2"
G 3/4	fixed gland 3/4"
G1	fixed gland 1"
<b>8. Connection head</b>	
PK	form P (miniature head) IP65
BK	form B (standard) IP65
<b>9. Operating temperature</b>	
300 or rather 6mm	300 °C
400 °C	6mm > 400 °C
<b>10. Options</b>	
00	without option
T4	integrated head transmitter 4..20mA (only head BK)

## Stock

- 8100/A-1-6-40-0-G1/2-PK-300°C
- 8100/A-1-9-100-0-G1/2-BK-400°C
- 8100/A-1-9-160-0-G1/2-BK-400°C
- 8100/A-1-9-250-0-G1/2-BK-400°C
- 8100/A-1-9-400-0-G1/2-BK-400°C
- 8100/A-1-9-600-0-G1/2-BK-400°C
- 8100/A-2-9-100-0-G1/2-BK-400°C
- 8100/A-2-9-160-0-G1/2-BK-400°C
- 8100/A-2-9-250-0-G1/2-BK-400°C
- 8100/C-1-6-40-0-G1/2-PK-300°C
- 8100/C-1-6-80-0-G1/2-PK-300°C